

Hybrid Power System (HPS)

Portable, Silent, Clean Energy

Makinex HPS is a compact all in one portable power solution delivering solar, battery and generator power.



FEATURES

- ✓ Significant fuel and servicing savings
- ✓ Low noise, silent except for minimal generator run time
- ✓ Reduced emissions
- ✓ Portable, easy to deploy, easy to store
- ✓ Remote monitoring, diagnostics, remote start/stop
- ✓ High customisation – run time, quiet time etc
- ✓ Australian built generators, using Yanmar engines
- ✓ Additional solar if required
- ✓ Longer service life

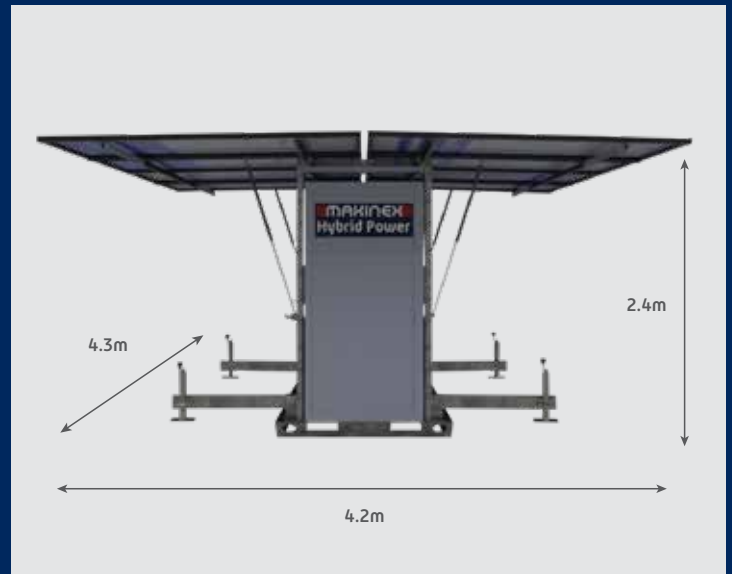
EASY TO STORE

EASY TO SETUP ON SITE

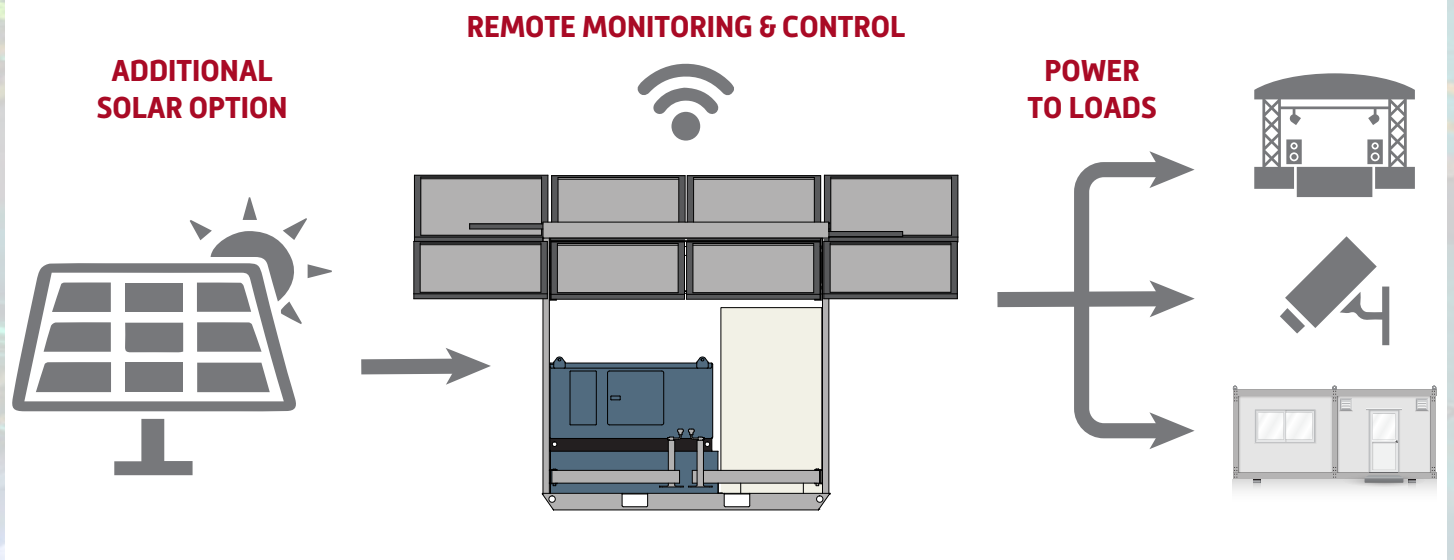
EASY TO TRANSPORT



CLOSED



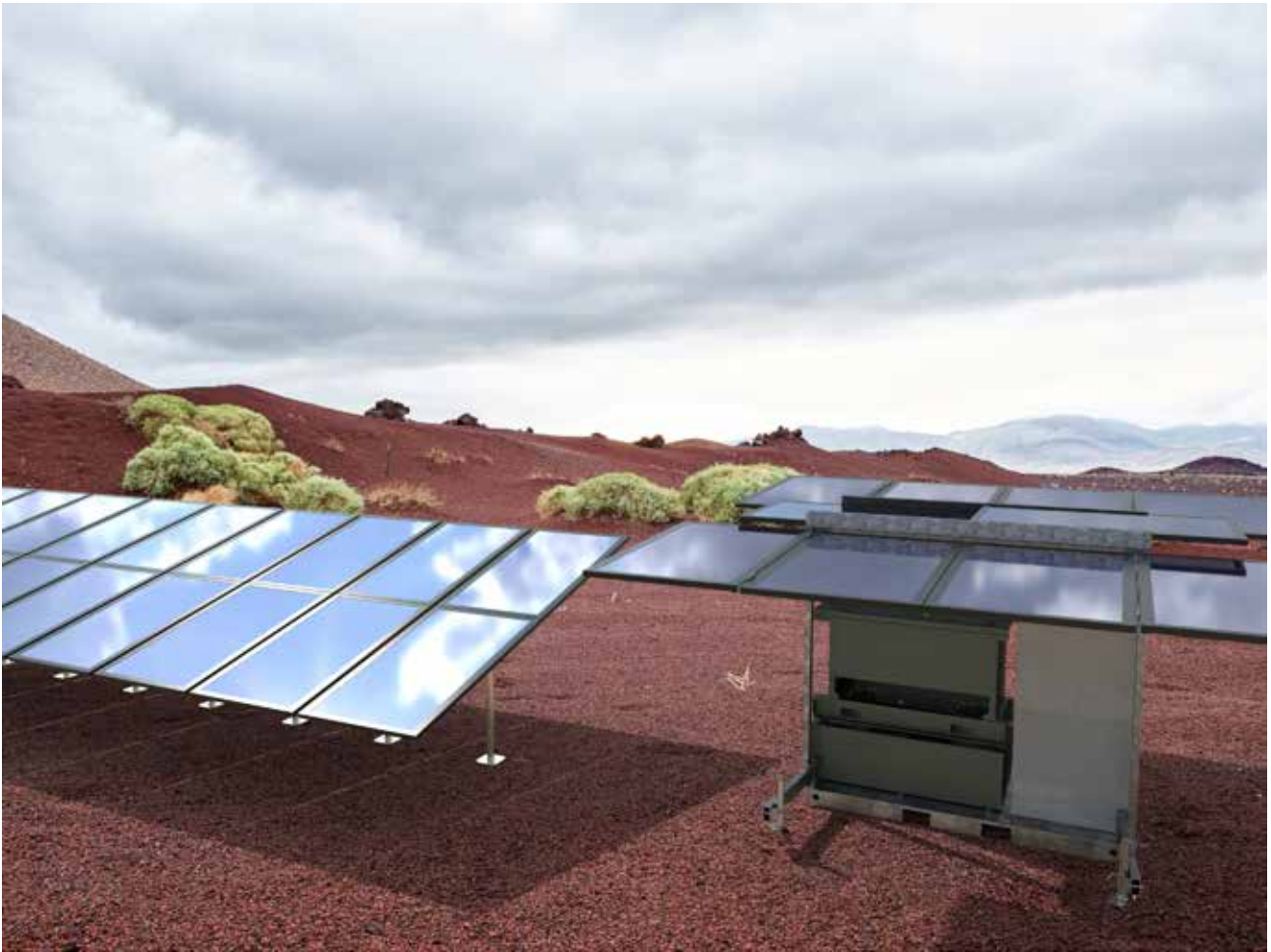
OPEN



SPECIFICATIONS

	HPS 10	HPS 15	HPS 20	HPS 45
Model number				
Battery	16kWh	28kWh	32 kWh	48kWh
Inverter Power	10kVA	15kVA	20 kVA	40kVA
Solar Power	3.6 kW	3.6 kW	3.6 kW	7.2 kW
Add on Solar	3.6 kW	3.6 kW	3.6 kW	3.6 kW
Total Solar	7.2 kW	7.2 kW	7.2 kW	10.8 kW
Generator 4 Pole	10kVA	15kVA	20 kVA	45kVA
Noise(7m)	60dBA	60dBA	60dBA	60dBA

Additional Solar Option



Add on solar modules easily deploy on site.

Applications

Construction



Events



Telecom & Utilities



Broadcast & Monitoring



Mine Sites

